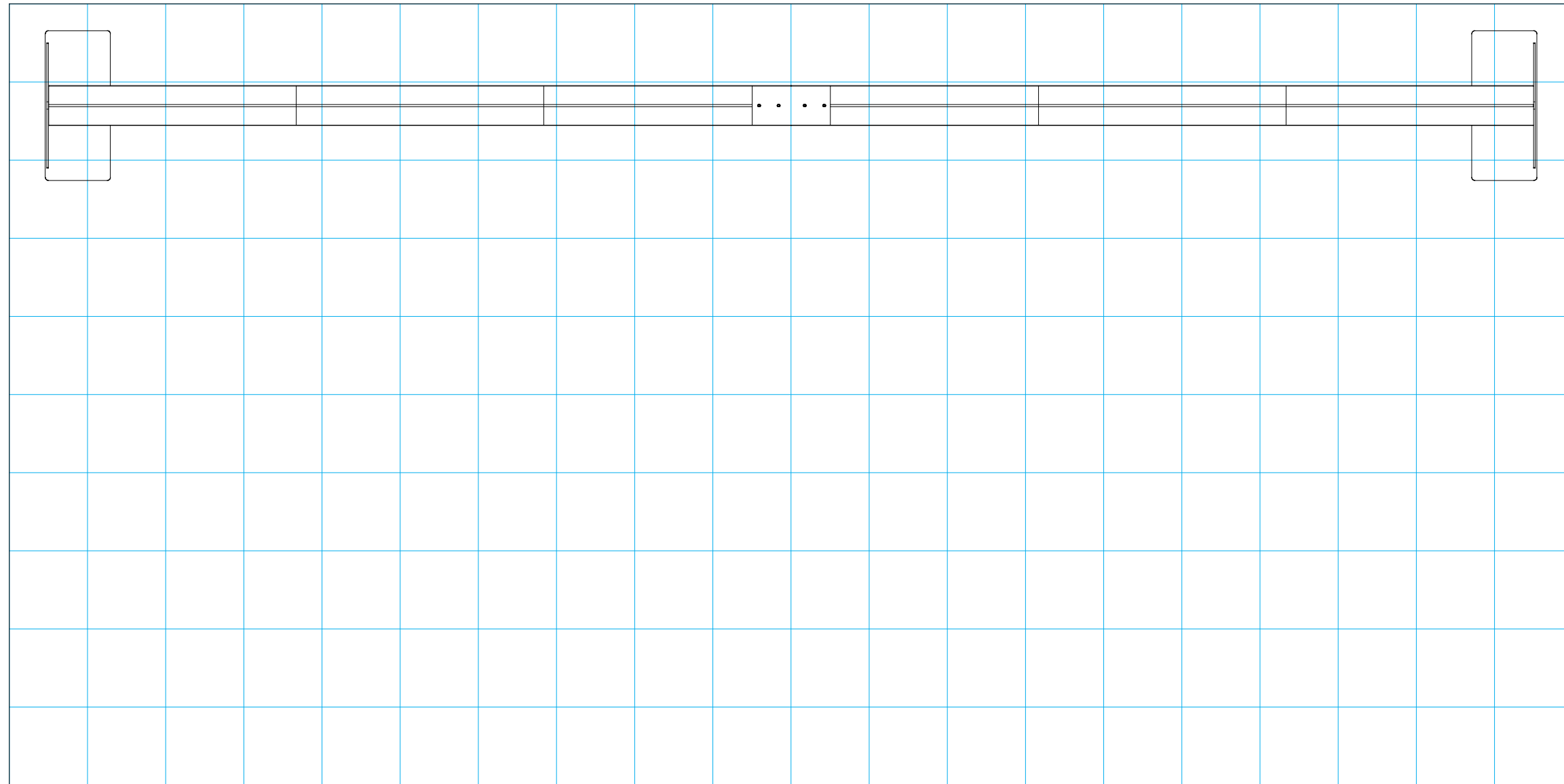



SETUP INSTRUCTIONS



 = 1 sq foot

General Setup Instructions

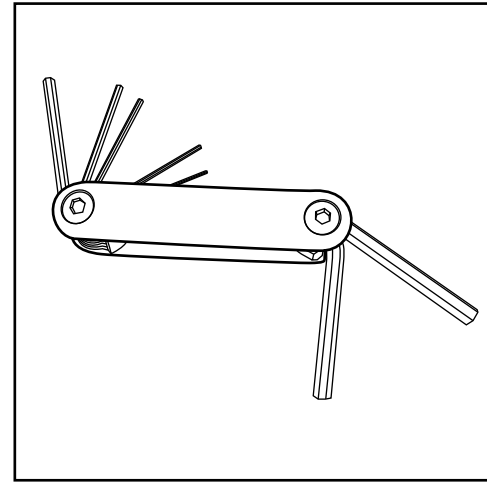
- Read entire setup instruction manual prior to unpacking parts and pieces.
- The setup instructions are created specifically for this configuration.
- Setup instructions are laid out sequentially in steps, including exploded views with detailed explanation for assembly.

Cleaning & Packing

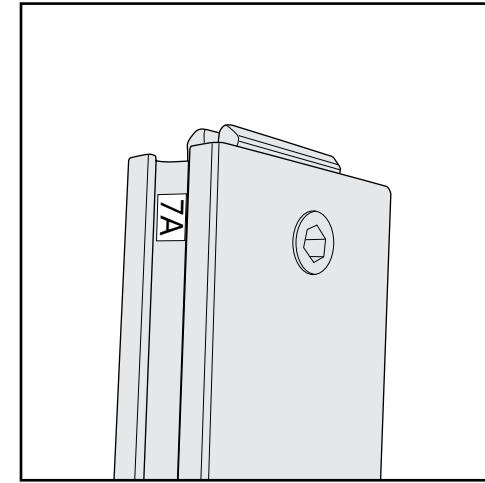
- For Cleaning Metal, Plex, & Laminate Parts: Use a **MILD NON-ABRASIVE** cleanser and soft cloth/paper towel to clean all surfaces.
- Keep exhibit components away from heat and prolonged sun exposure. **Heat and UV exposure will warp and fade components.**
- Retain all provided Packing Materials. All provided packing materials are for ease of repacking & component protection.

Disassembly

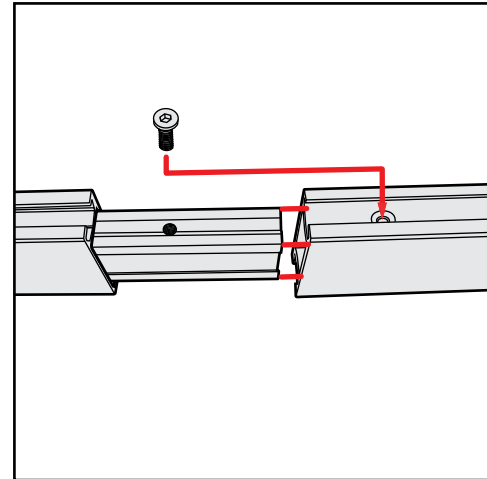
- For loss prevention, tighten all set screws and locks during disassembly.



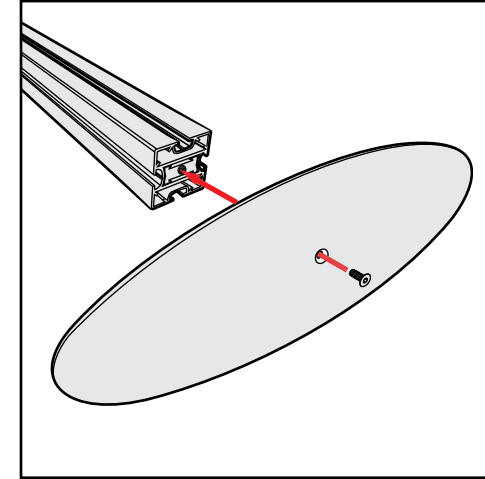
Hex Tool - Essential for Assembly



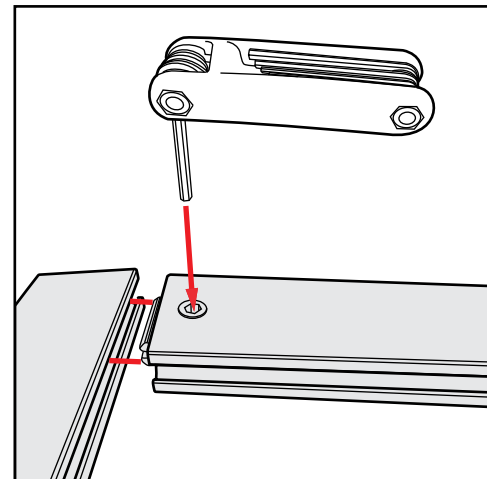
Part Identification - Numbering



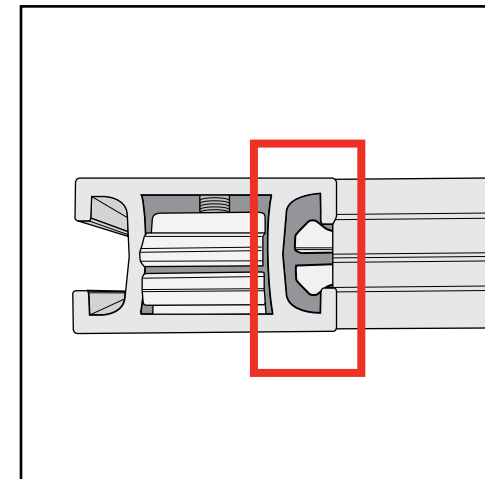
Spline Connection



Base Plate & Extrusion Connection



Extrusion & Lock Connection



Engaged Lock



WARNING



DO NOT USE POWER TOOLS



LADDERS OR LIFTS
MAY BE REQUIRED

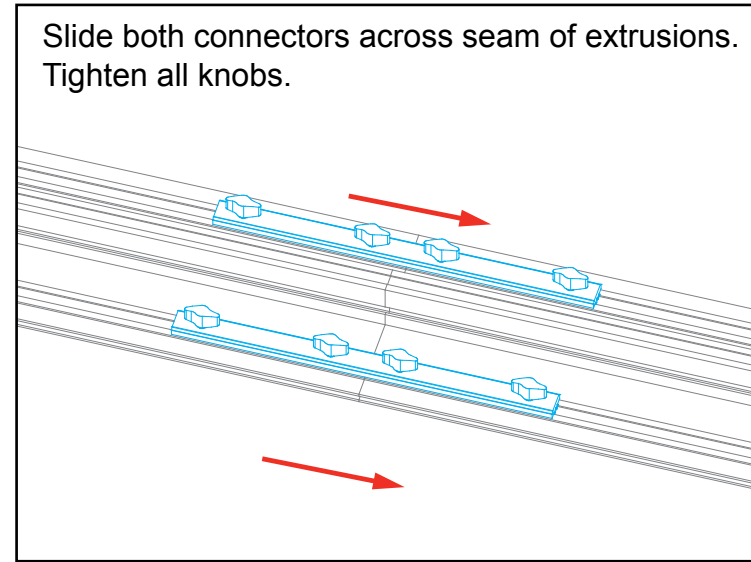
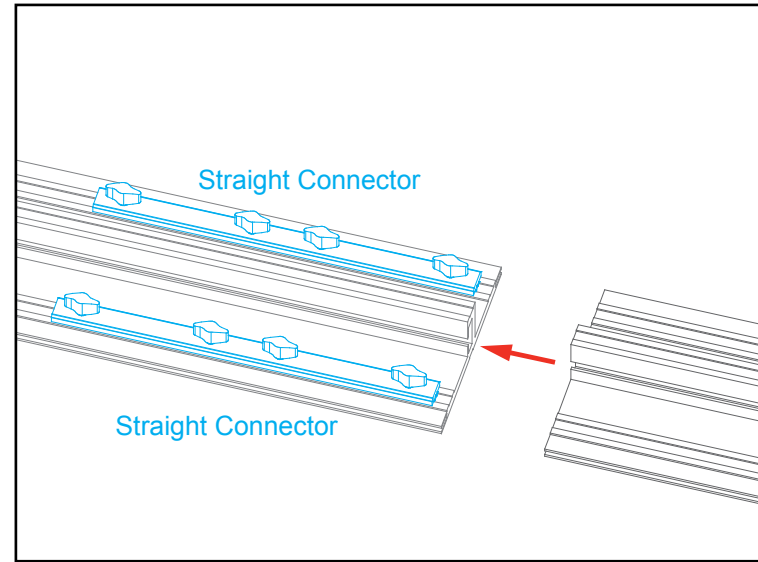


ALL CONNECTIONS MUST
BE TIGHTLY SECURED

Straight Connection

When assembling frame, first attach all **straight connectors**, then attach **corner connectors**.

- 1) Place extrusions end-to-end.
- 2) Loosen all knobs, then slide **straight connectors** across the seam of extrusions.
- 3) Tighten all knobs to secure connection.



All knobs must be tightened securely to ensure a proper connection.

Disassembly

- 1) Loosen all knobs.
- 2) Slide connectors off of one extrusion.
- 3) Tighten knobs to prevent loss during packing & shipping.

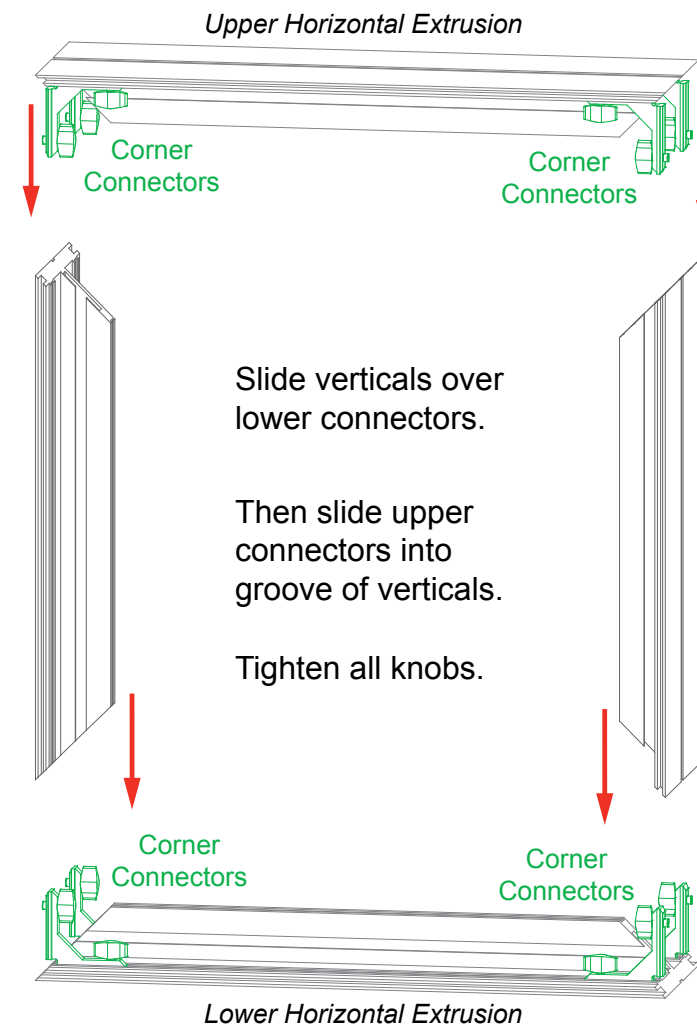
Keep straight connectors in groove of extrusion. Do not remove connectors during disassembly.

Corner Connection

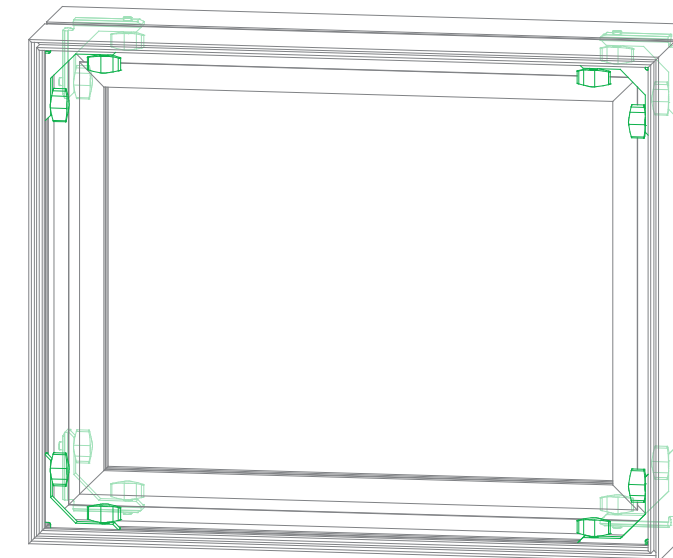
- 1) Loosen knobs, then slide vertical extrusions onto **corner connectors** of **lower** horizontal extrusion.
- 2) Slide **corner connectors** of **upper** horizontal extrusion into grooves of vertical extrusions.
- 3) Tighten all knobs to secure connection.

Disassembly

- 1) Loosen knobs on vertical extrusions.
- 2) Slide the vertical extrusions off of **corner connectors** on lower and upper horizontal extrusions.

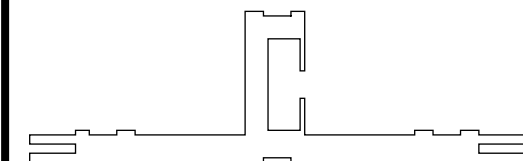


Adjust connectors if necessary to prevent gaps in connection.



COMPLETED ASSEMBLY

All knobs must be tightened securely to ensure a proper connection.

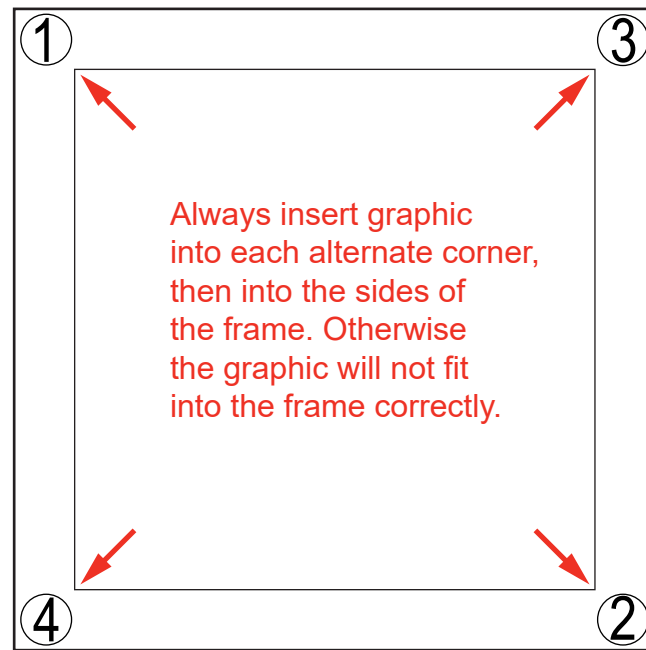


CEI152 Profile

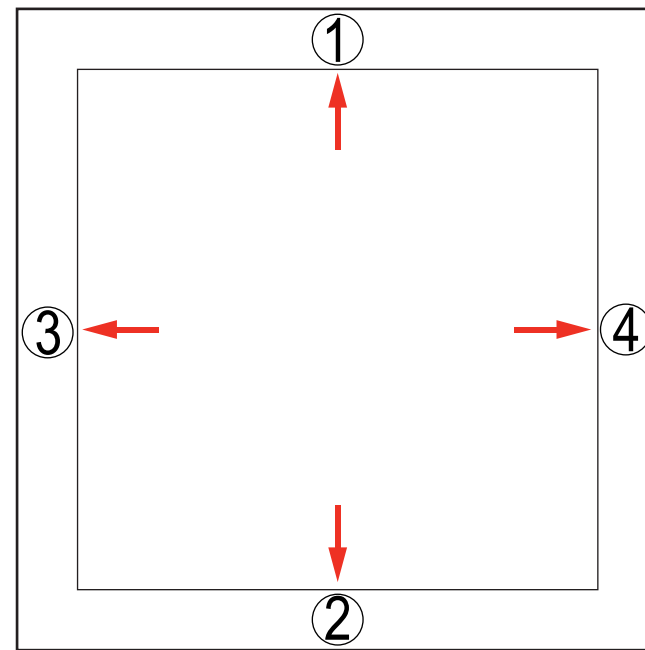
SEG Graphic Installation *in 3 Steps*

The Perfect Fit

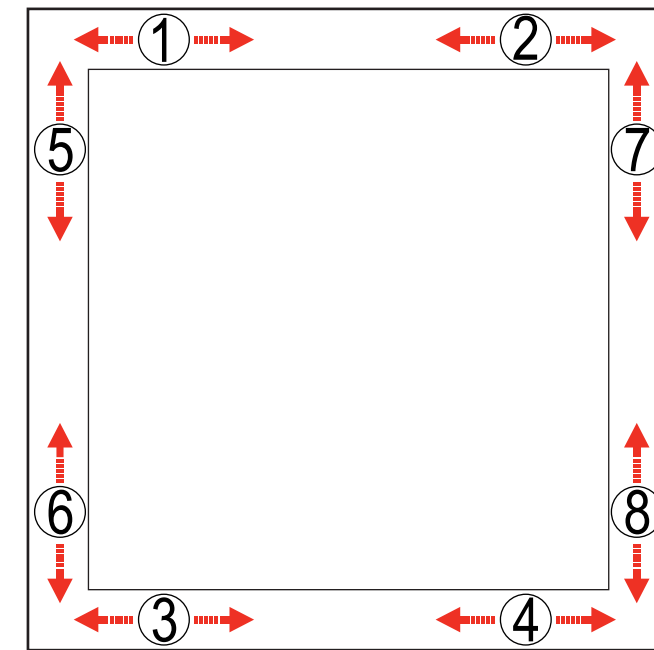
STEP 1: Attach Corners



STEP 2: Attach Middle



STEP 3: Attach Sides



Insert narrow side of silicone welt into the channel at corner 1, with fabric to the outside.

Repeat for opposite corner 2, then corner 3, then corner 4.

Once corners are attached, press the middle of edge 1 into the channel. Then press middle of edge 2 into the channel on opposite side.

Repeat with edge 3 & 4.

Once the middle of sides are attached, fully press the silicone welt into the channel, between center and corner at location 1. Repeat the process between center and corner at location 2.

Do the same for welt on opposite side, at locations 3 & 4. Then repeat for locations 5 & 6 and 7 & 8.

Once the welt is fully inserted on all sides, smooth out edges as needed for a perfect fit.

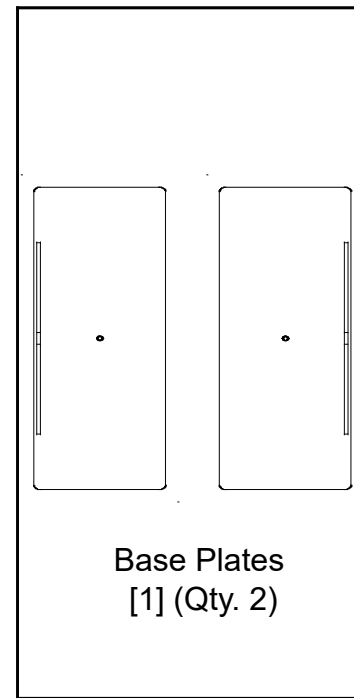


To remove the graphic from the frame, locate the fabric **pull tab**. Gently pull on the tab to remove the graphic.

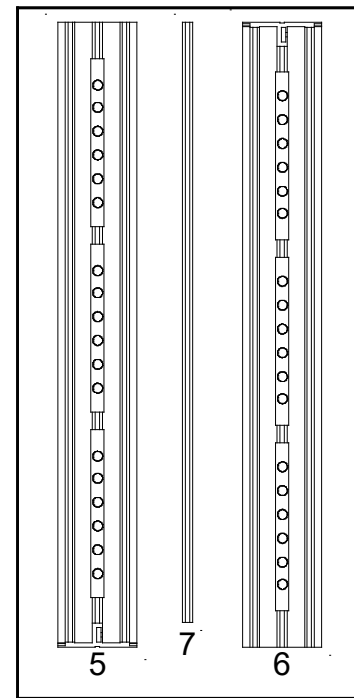
Install video:



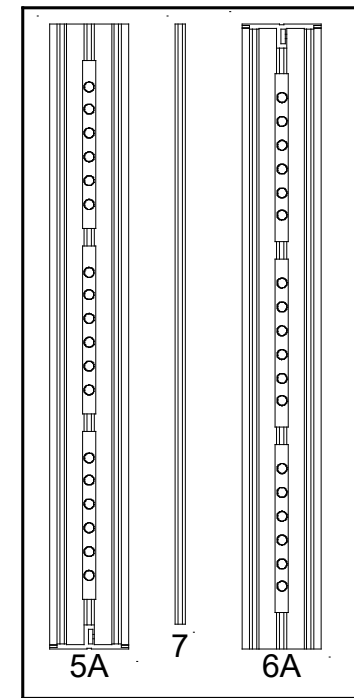
Top View of Each Level



Level 1
(Bottom level)



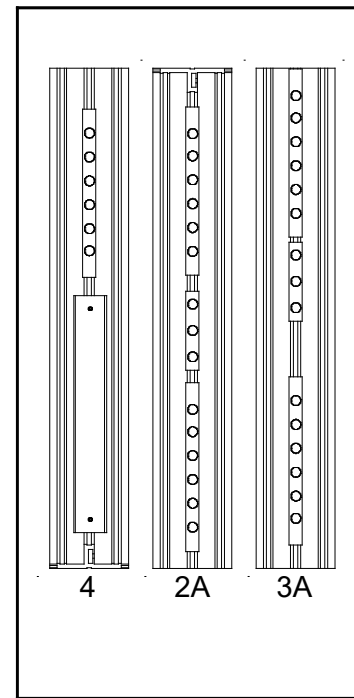
Level 2



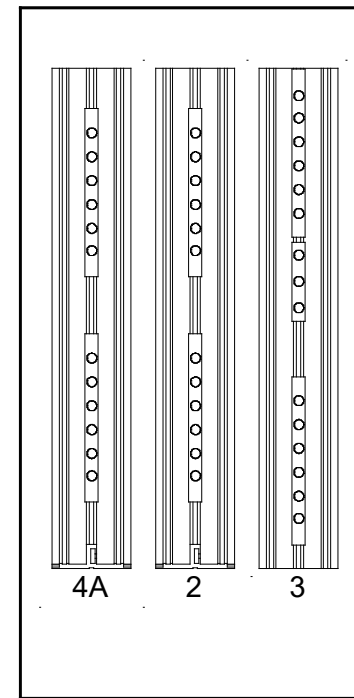
Level 3

Setup Hardware

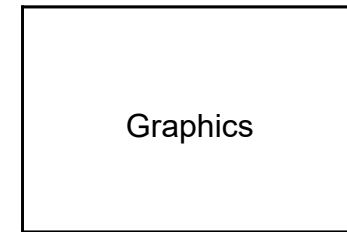
Top View of Each Level



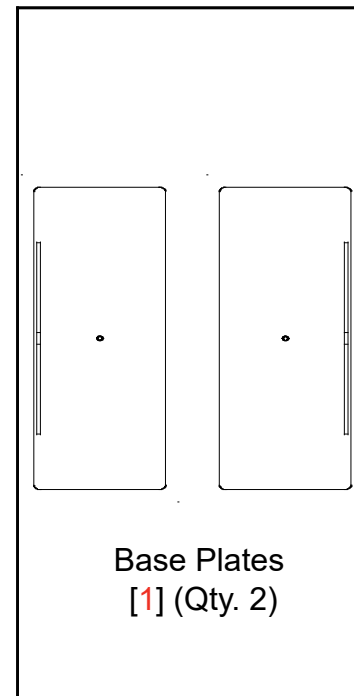
Level 1
(Bottom level)



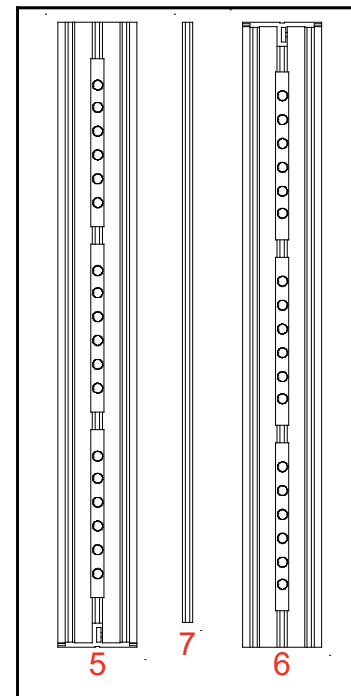
Level 2



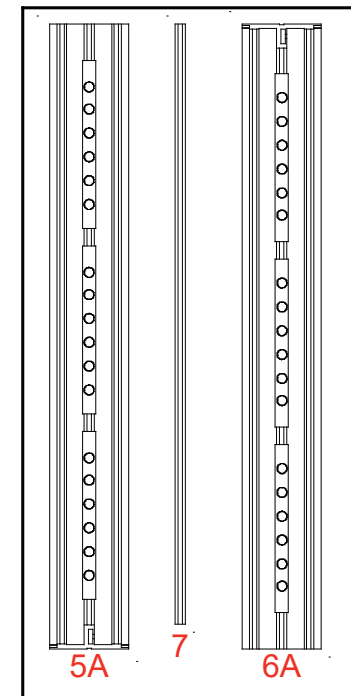
Top View of Each Level



Level 1
(Bottom level)



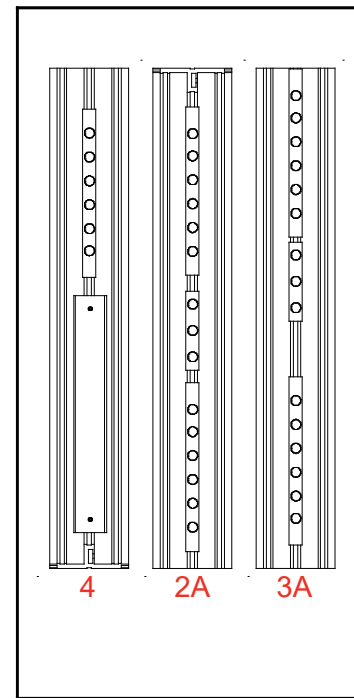
Level 2



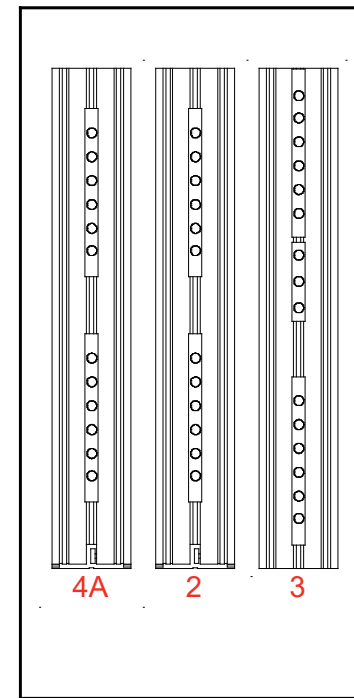
Level 3

Setup Hardware

Top View of Each Level



Level 1
(Bottom level)



Level 2

Graphics

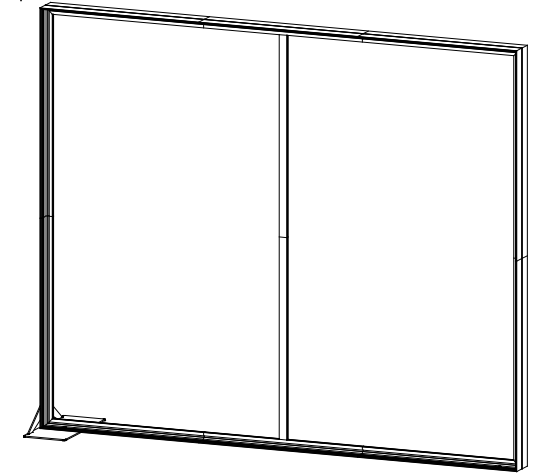
Item	Qty.	Description
1	1	SF17 Base Plate
2,2A	1,1	38" w CEI152 Horizontal Extrusion
3,3A	1,1	38" w CEI152 Horizontal Extrusion
4,4A	1,1	38" w CEI152 Horizontal Extrusion
5,5A	1,1	47.5" h CEI152 Vertical Extrusion
6,6A	1,1	47.5" h CEI152 Vertical Extrusion
7,7A	1,1	45.677" Z33 Vertical Extrusion

Steps:

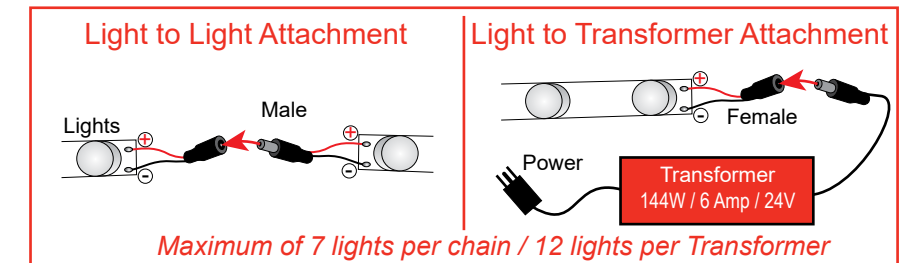
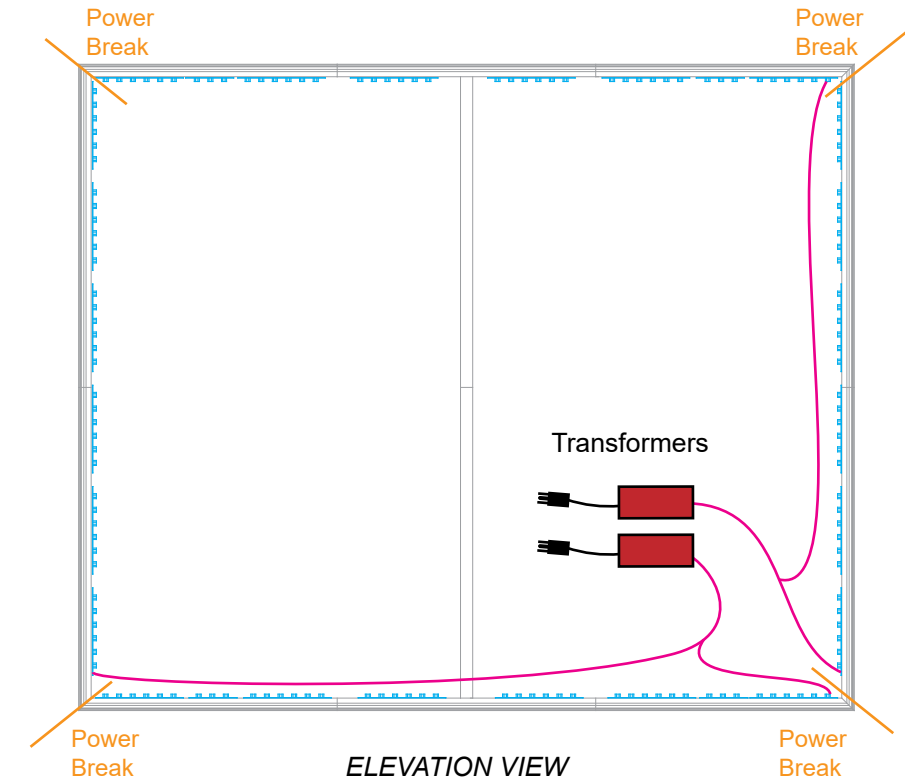
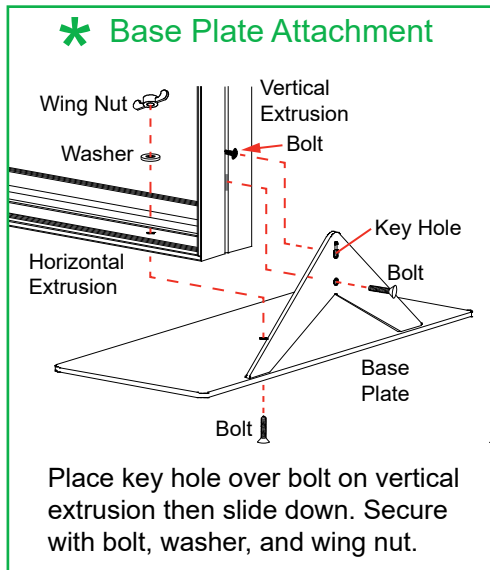
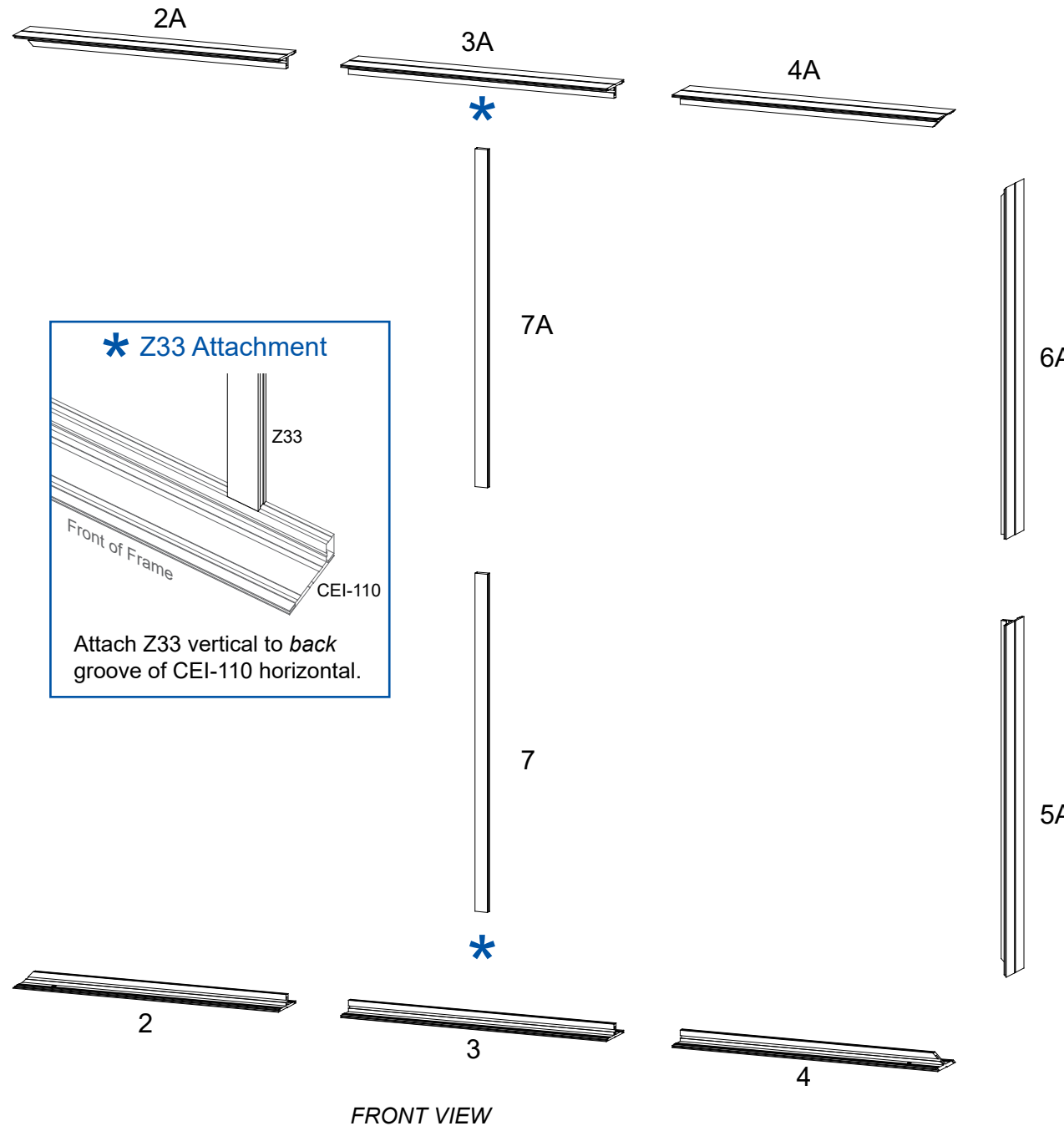
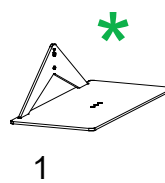
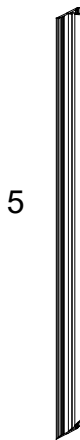
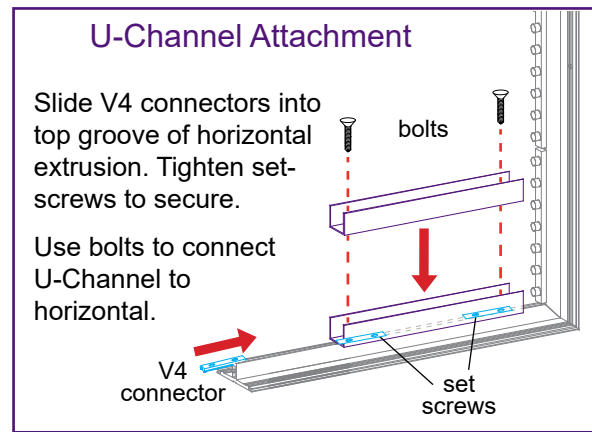
Refer to the CEI152 Frame Assembly general information page.

- 1) Assemble horizontals [2-3-4] [2A-3A-4A] & verticals [5-6] [5A-6A] together using straight connectors.
- 2) Attach vertical & horizontal assemblies together using corner connectors.
- 3) Connect verticals [7-7A] between horizontal assemblies. See [Z33 Attachment](#) detail.
- 4) Attach base plate [1] to frame assembly. See [Base Plate Attachment](#) detail.
- 5) Connect power cords to Supernova lights.

Assemble frame flat on ground.



When assembled

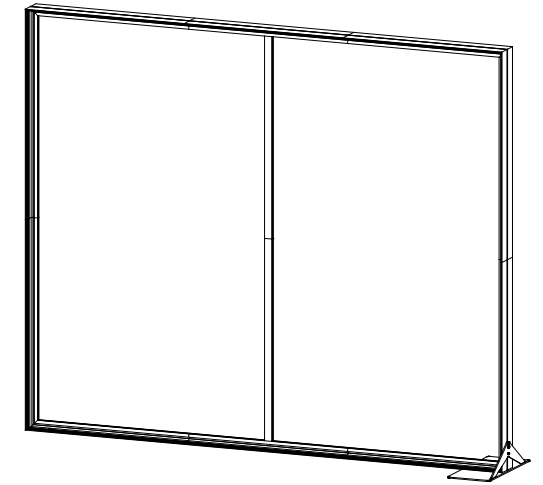


Item	Qty.	Description
1	1	SF17 Base Plate
2,2A	1,1	38" w CEI152 Horizontal Extrusion
3,3A	1,1	38" w CEI152 Horizontal Extrusion
4,4A	1,1	38" w CEI152 Horizontal Extrusion
5,5A	1,1	47.5" h CEI152 Vertical Extrusion
6,6A	1,1	47.5" h CEI152 Vertical Extrusion
7,7A	1,1	45.677" Z33 Vertical Extrusion

Steps:

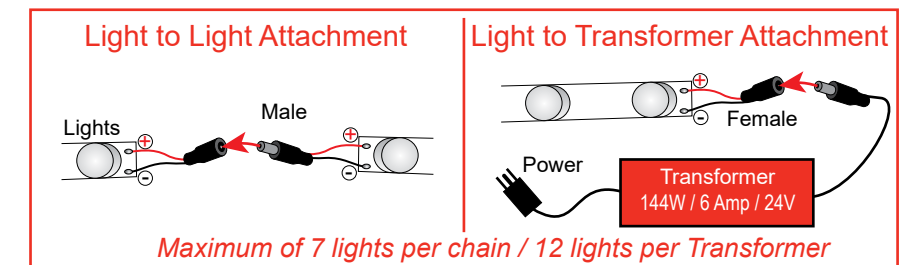
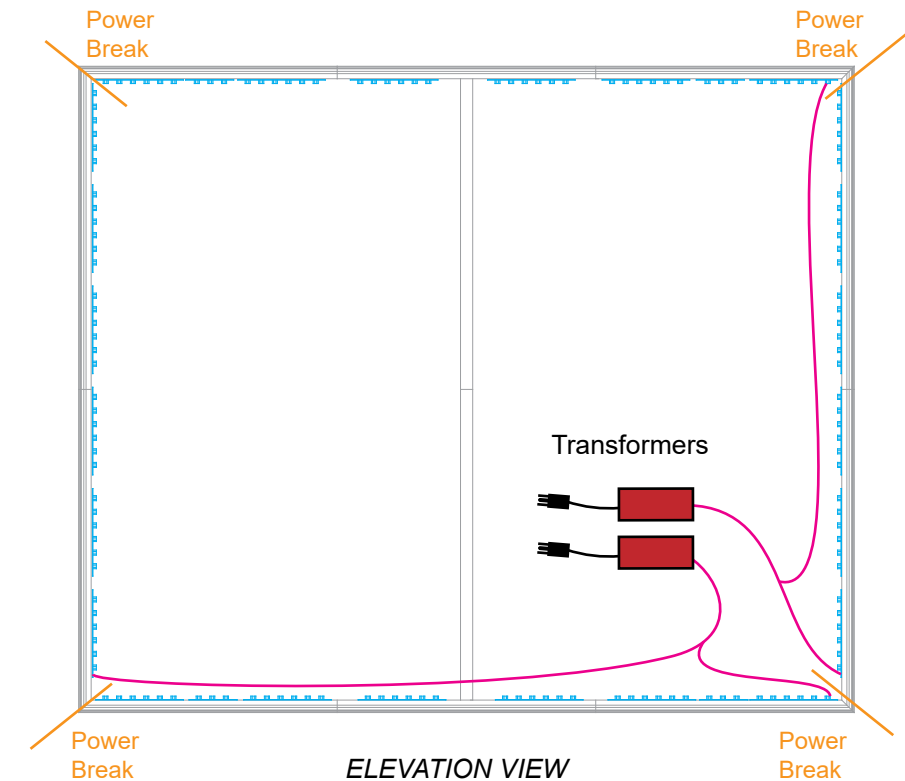
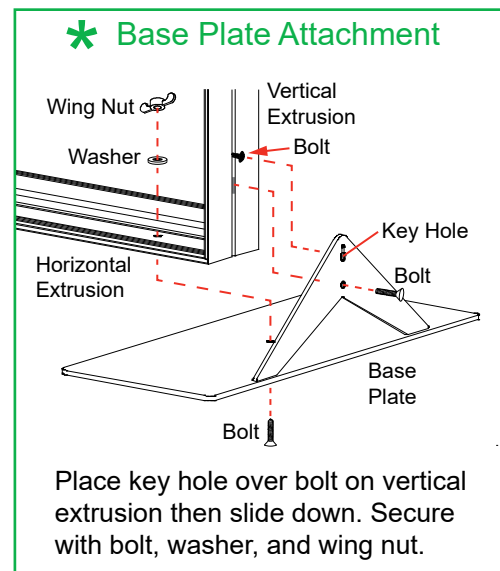
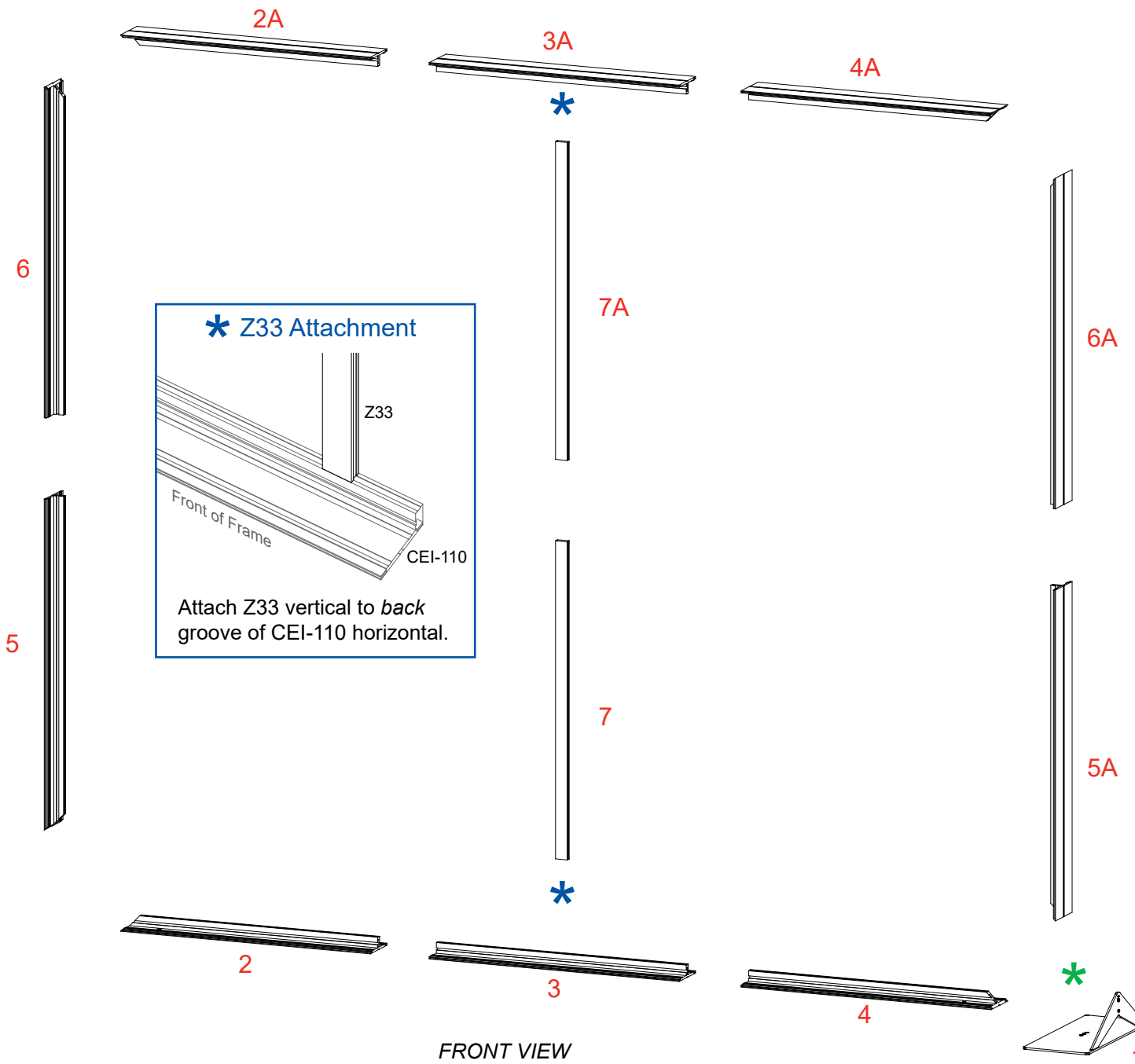
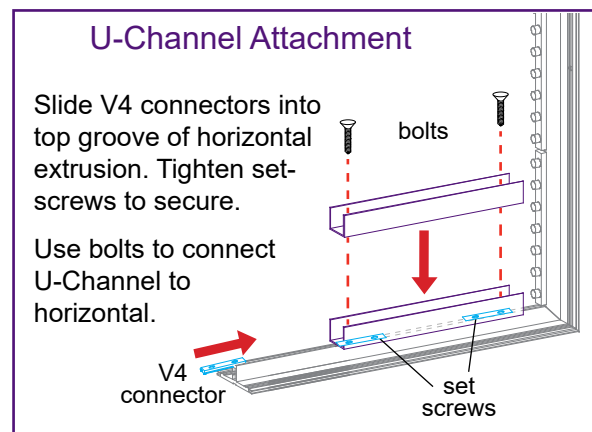
Refer to the CEI152 Frame Assembly general information page.

- 1) Assemble horizontals [2-3-4] [2A-3A-4A] & verticals [5-6] [5A-6A] together using straight connectors.
- 2) Attach vertical & horizontal assemblies together using corner connectors.
- 3) Connect verticals [7-7A] between horizontal assemblies. See Z33 Attachment detail.
- 4) Attach base plate [1] to frame assembly. See Base Plate Attachment detail.
- 5) Connect power cords to Supernova lights.



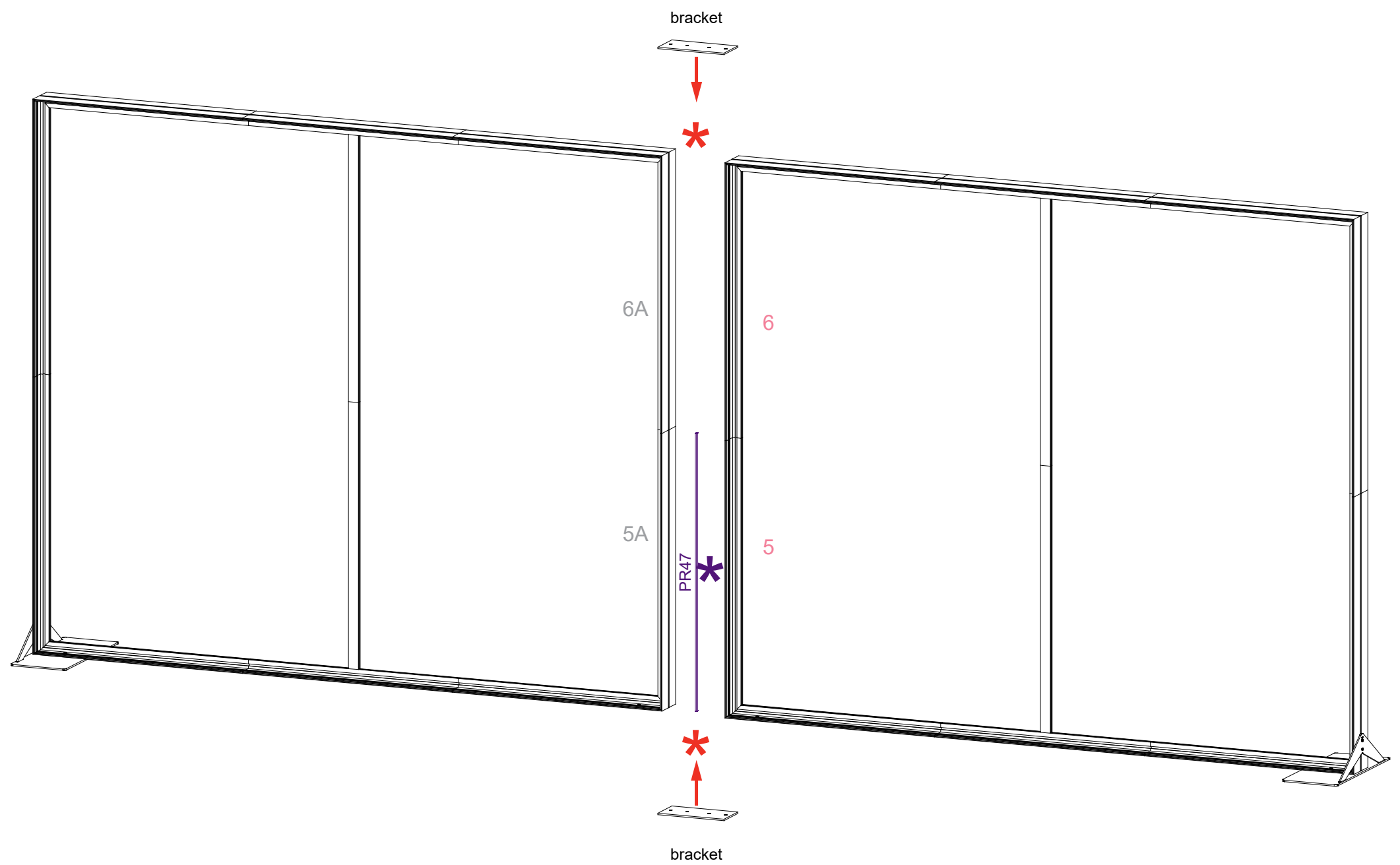
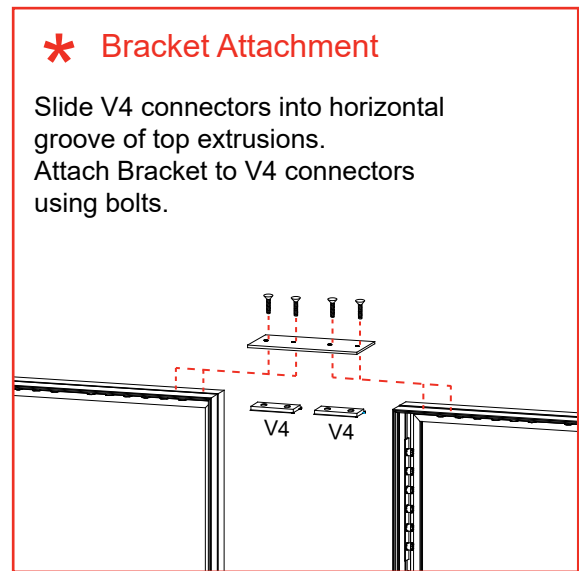
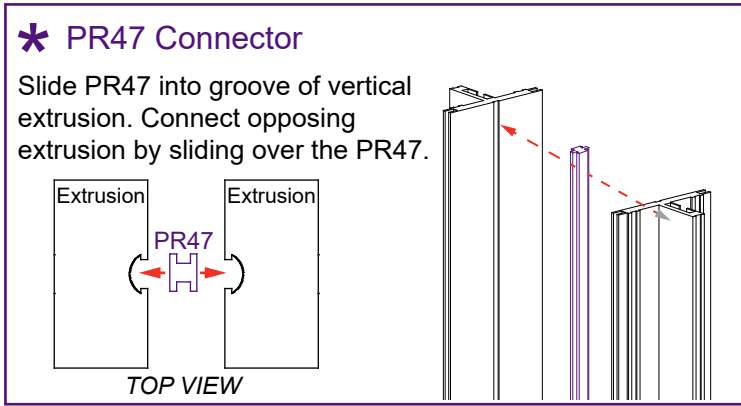
When assembled

Assemble frame flat on ground.



Item	Qty.	Description
--	1	47.5" PR47 Connector
--	2	6" x 12" Bracket

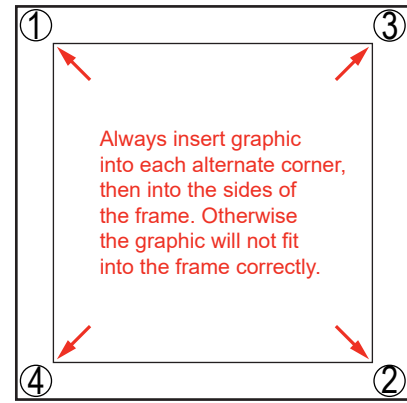
- Steps:
- 1) Insert PR47 Connector between vertical extrusions. See [PR47 Connector](#) detail.
 - 2) Connect Bracket across seams top & bottom. See [Bracket Attachment](#) detail.



FRONT VIEW

SEG Graphic Installation

STEP 1: Attach Corners

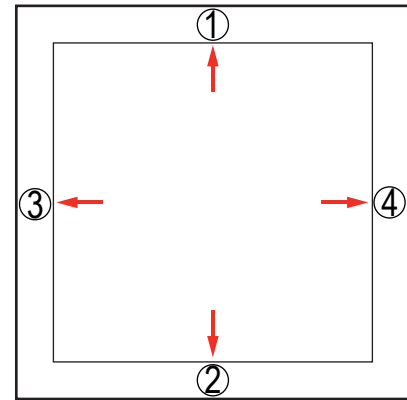


Insert narrow side of silicone welt into the channel at corner 1, with fabric to the outside.

Repeat for opposite corner 2, then corner 3, then corner 4.



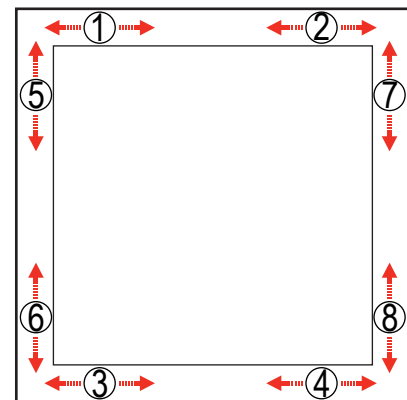
STEP 2: Attach Middle



Once corners are attached, press the middle of edge 1 into the channel. Then press middle of edge 2 into the channel on opposite side.

Repeat with edge 3 & 4.

STEP 3: Attach Sides



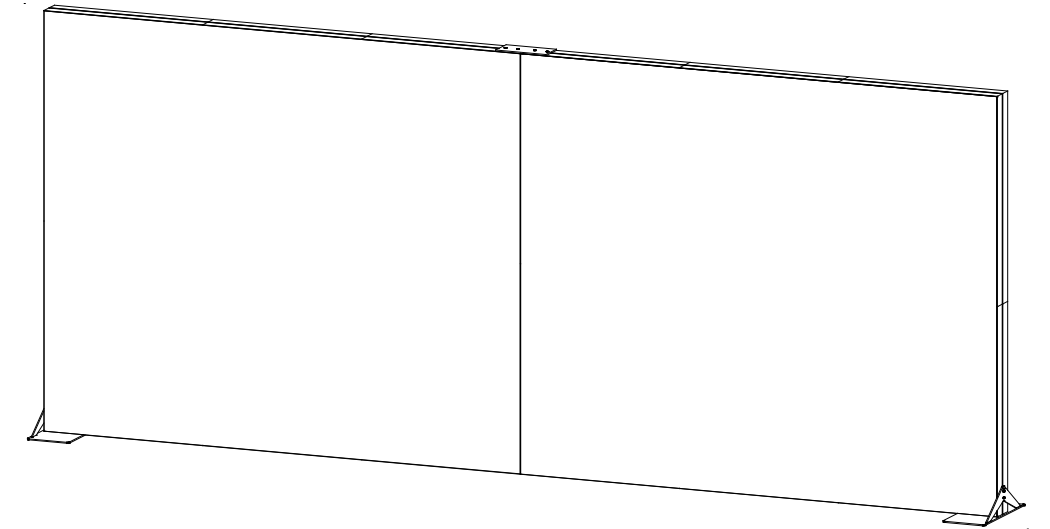
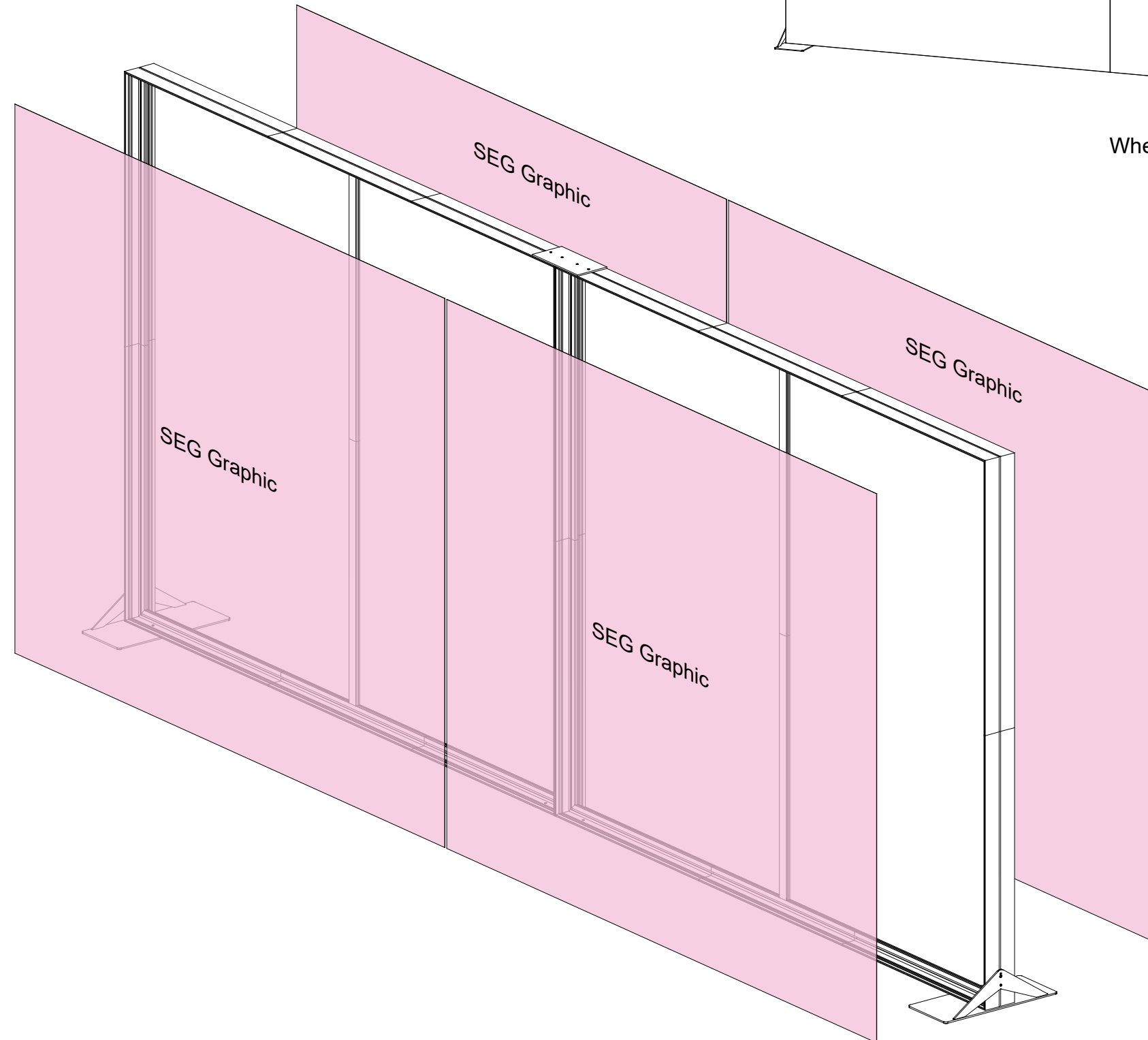
Once the middle of sides are attached, fully press the silicone welt into the channel, between center and corner at location 1. Repeat the process between center and corner at location 2.



Do the same for welt on opposite side, at locations 3 & 4. Then repeat for locations 5 & 6 and 7 & 8.



Steps:
1) Apply SEG graphics as shown.



When assembled